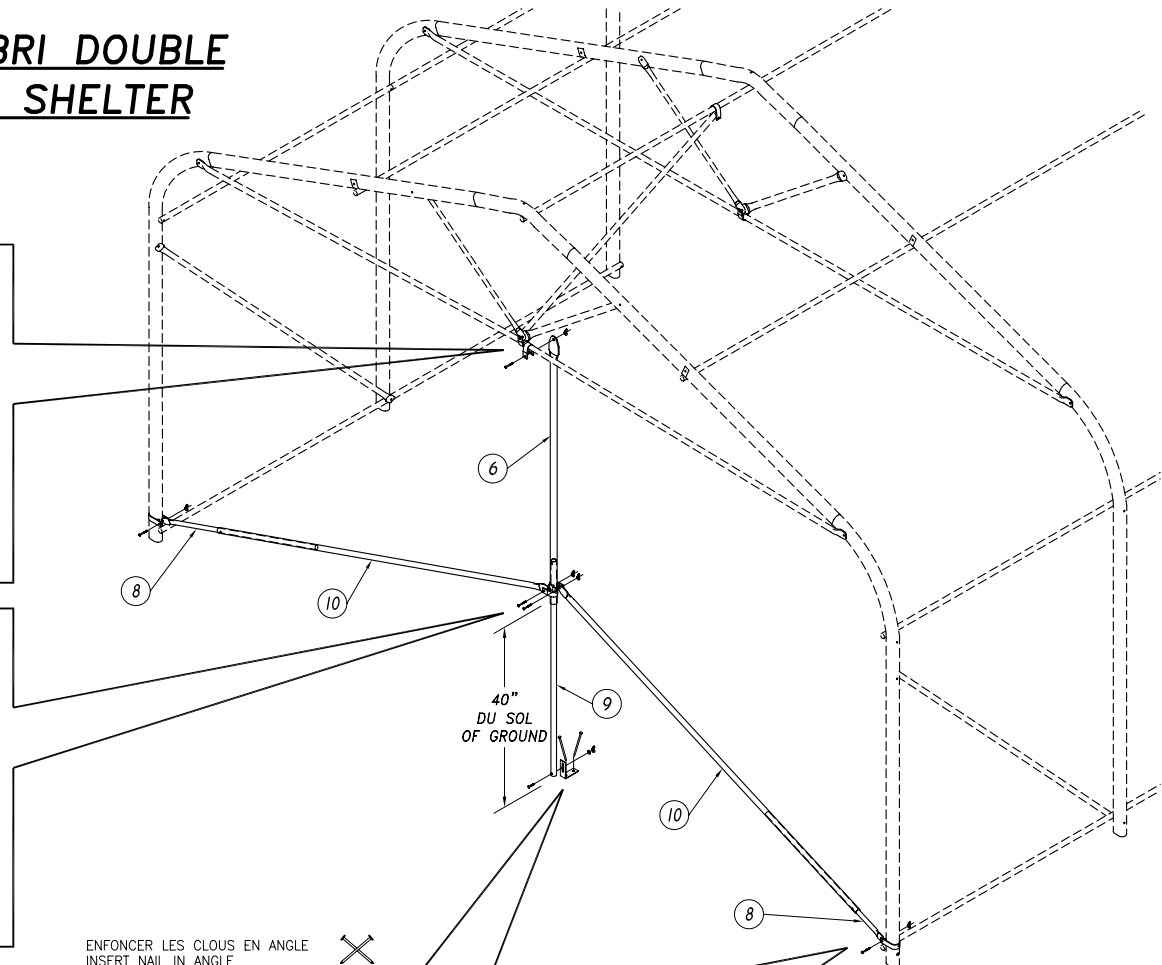
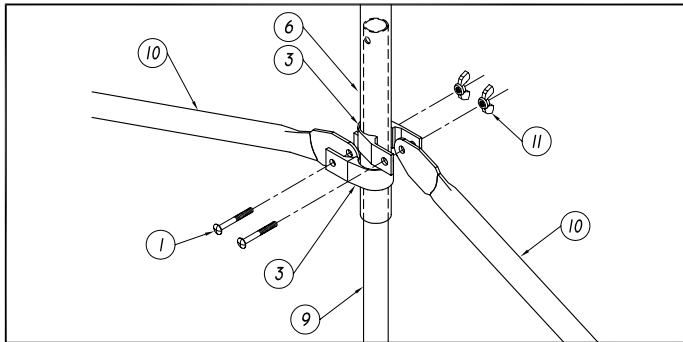
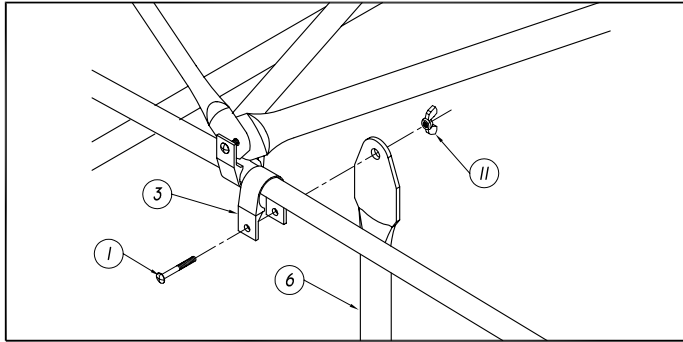


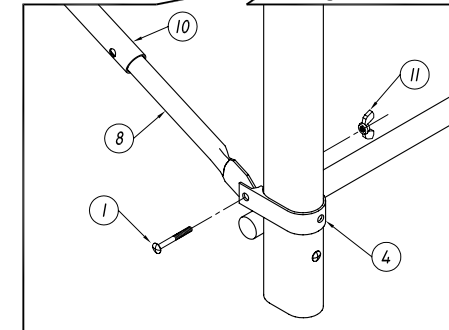
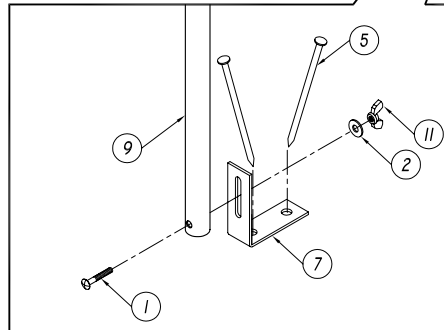


507, route 158,
 Saint-Thomas, Québec J0K 3L0
 1-866-661-6646 450-755-6608
 Fax: (450)755-6878

FOND PLEIN POUR ABRI DOUBLE FULL BACK DOUBLE SHELTER



ENFONCER LES CLOUS EN ANGLE
 INSERT NAIL IN ANGLE



- | | | |
|---------------|--------------------------------|-------------------------------|
| 1 1C0005-T | BOUL CAR 1/4" X 2" G2 PLQ | BOUL CAR 1/4" X 2" G2 PLQ |
| 2 1C0390-T | RONDELLE SECURITE 1/4" PLQ | LOCK WASHER 1/4" PLT |
| 3 2A6807-T | COLLET D'ALUMINIUM 1-3/8" | 1 3/8" ALUMINIUM COLLAR |
| 4 2A7206-T | COLLET ALUM OVAL | OVAL COLLAR |
| 5 1T0030 | CLOU 14" COMMUN BRILLANT | 14" BRIGHT COMMUN NAIL |
| 6 2T0602 | DEMI DIAGONALE 1-1/4"X59-9/16" | HALF CROSSTIE 1-1/4"X59-9/16" |
| 7 2T1487 | SUPP. TUBE CENTRE PORTE EZ 20' | SUPP. CENTER TUBE EZ DOOR 20' |
| 8 2TC007 | RAIDISSEUR FEMELLE 4'(1"RD)18G | 4' FEMALE CROSSTIE (1"RD)18GA |
| 9 2TENT4F | ENTRETOISE FEMELLE 4'(1") | 4' FEMALE BRACE (1") |
| 10 2TTA18007 | BARRE DE PORTE FEMELLE TA 18' | TA FEM.DOOR SUPPORT 18 FEET |
| 11 RN300404-T | ECROU A AILE 1/4" PLQ | WING NUT 1/4" PLT |