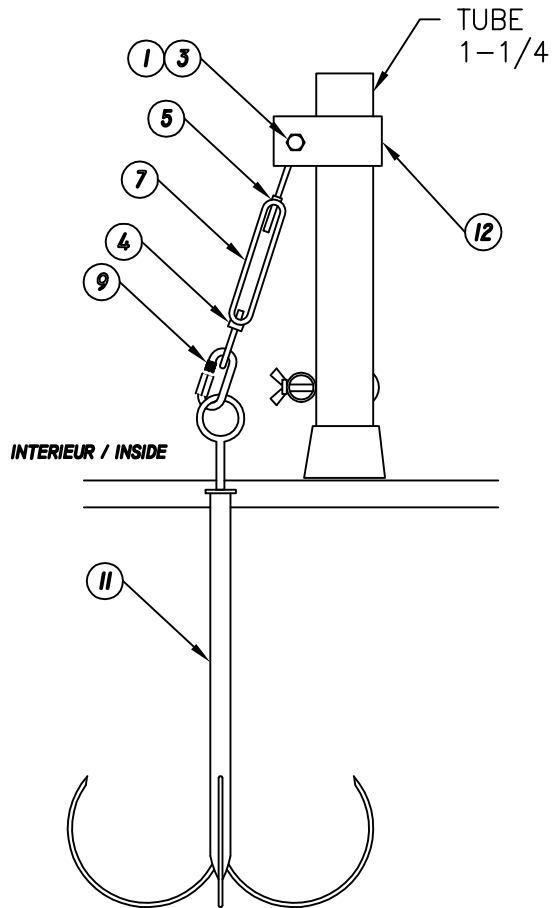


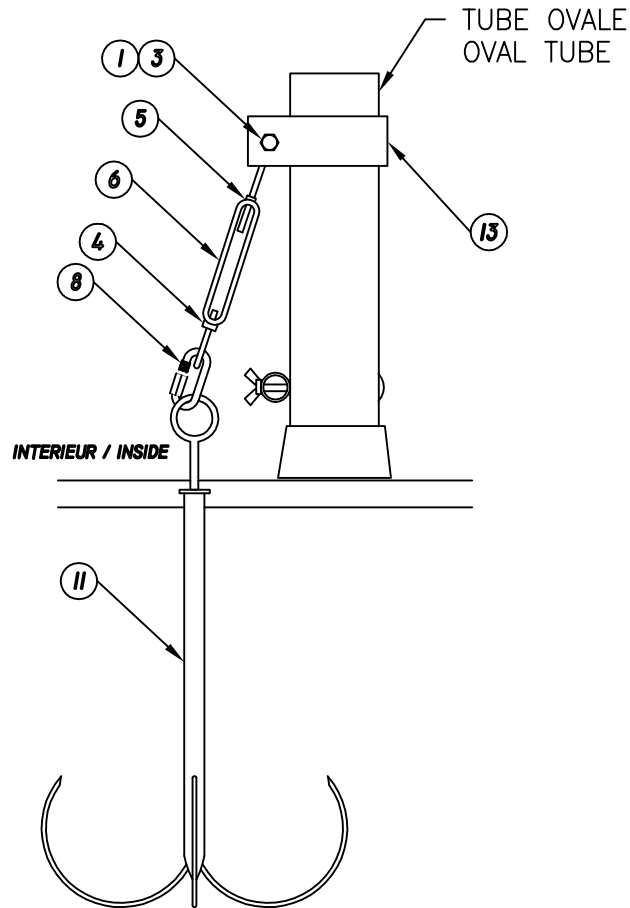
## 2T8075

ENSEMBLE COLLET-TENDEUR POUR TUBE 1-1/4"  
1-1/4" COLLAR AND TIGHTENER KIT



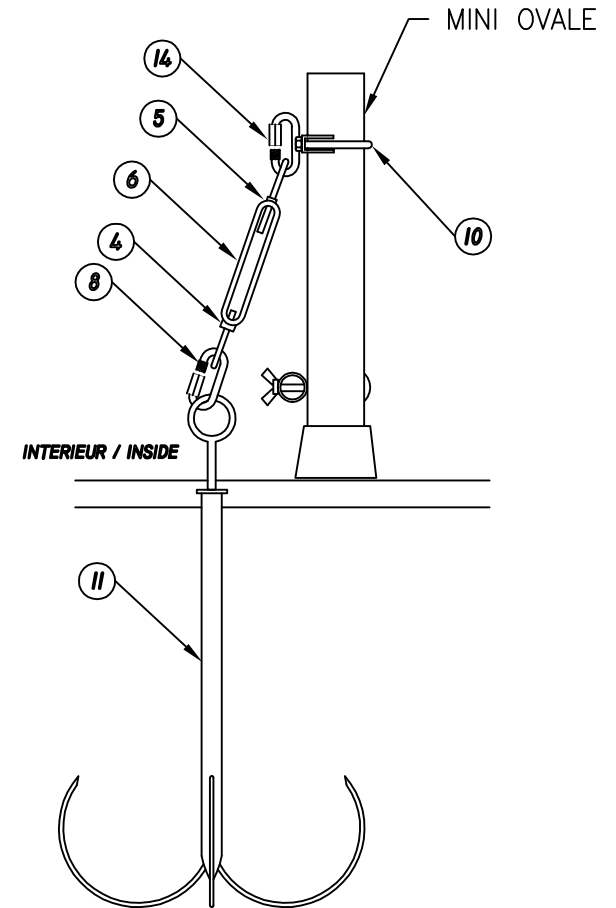
## 2T8076

ENSEMBLE COLLET-TENDEUR POUR TUBE OVALE 2-3/4"  
2-3/4" COLLAR AND TIGHTENER KIT



## 2T8077

ENSEMBLE COLLET-TENDEUR MINI OVALE  
MINI OVAL COLLAR AND TIGHTENER KIT



NUMERO	CODE	FRANCAIS
1	1C0223	BOUL HEX 5/16" X 1-1/2" G2 PLQ
2	1C3081-T	TENDEUR 3/8" PLQ OEIL-OEIL
3	1C0787-T	ECROU HEX 5/16" PLAQUE
4	1C0788-T	ECROU HEX 3/8" PLAQUE
5	1C0789	ECROU HEX 7/16" PLAQUE
6	1C3080-T	TENDEUR M10 OEIL-OEIL + ECROUS
7	1C3081-T	TENDEUR 3/8 OEIL-OEIL + ECROUS
8	1C3090	MAILLON RAPIDE 3/8"
9	1C3091	MAILLON RAPIDE 1/2" PLQ
10	1CE1608	BOULON EN "U" 1"
11	1P101	KIT COMPLET DE 4 PERMANANCRE
12	2A6807-T	COLLET D'ALUMINIUM 1-3/8"
13	2A7206-T	COLLET ALUM OVAL
14	2T3010	PETIT ANCRAGE CAVALIER

ANGLAIS
HEX BOLT 5/16" X 1-1/2" G2 PLT
TURNBUCKLE 3/8" PLT EYE-EYE
HEX NUT 5/16" PLATED
HEX NUT 3/8" PLATED
HEX NUT 7/16" PLATED
TURNBUCKLE M10 EYE-EYE + NUTS
TURNBUCKLE 3/8 EYE-EYE + NUTS
QUICK LINK 3/8"
1/2" QUICK LINK PLT
"U" BOLT 1"
COMPLETE KIT OF 4 PERMANANCRE
1 3/8" ALUMINIUM COLLAR
OVAL COLLAR
ANCHOR (SMALL)